

# URW-706 (6.0t x 3.0m)

- Total width 1.67m
- Max working radius 18.6m
- Diesel powered and optional mains electric
- Zero length increase with electric option
- Radio remote control as standard
- Working area limitation
- Stowable fly (extension) jib (optional)
- Searcher hook (optional)
- Slew limitation (optional)
- Intelligent throttle activation for economy and ecology



Safe load indicator

Capacity 6.0t x 3.0m

Max Boom Length 19.2m

Max Lifting Height 19.5m  
(22.7m with extension jib)

Weight 7920 - 8310kg



The URW-706 is a lifting heavyweight in the mini crane world. With a 6 tonne capacity at 3.0m and a hook height of 19.5m it is one of the highest capacity UNIC cranes in the range, yet at 1670mm wide it is still narrow enough to gain access through a standard double doorway. For added lifting flexibility the URW-706 also features an optional searcher hook and a 3.1m long swing away fly jib, providing a maximum hook height of 22.7m. The new 706-2 hydraulic searcher hook provides a maximum hook height of 25.9m

## REMOTES



Standard radio remote control



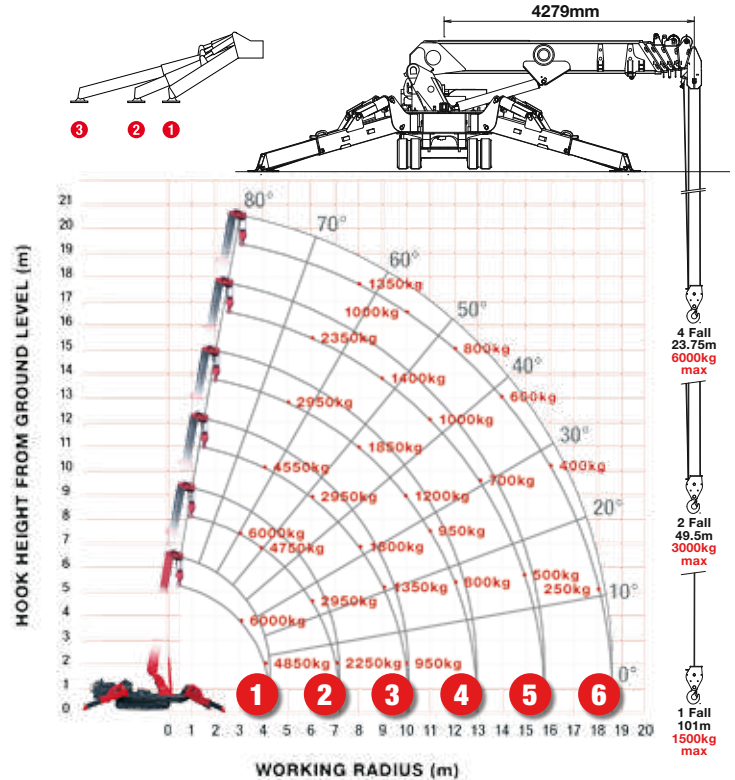
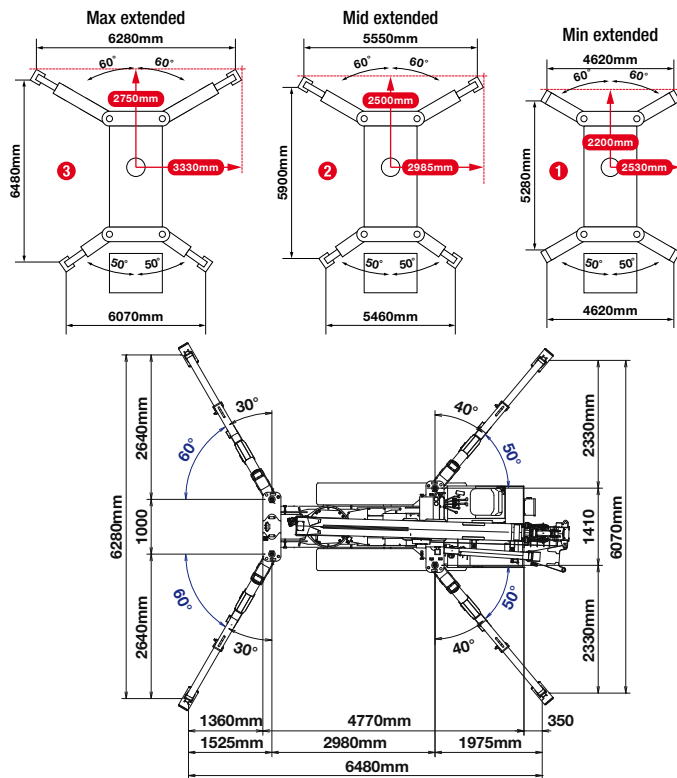
Optional radio remote control with digital feedback

## CRANE SPECIFICATIONS

|                        |   |   |
|------------------------|---|---|
| Crane capacity         | capacity:   | 6.0t x 3.0m   |
| Max working radius     | max:  | 18.6m   |
| Max lifting height     | approx:<br>URW-706-2:   | 19.5m (22.7m with second stage manual fly jib)<br>19.5m (25.2m with hydraulic fly jib, 25.9m with fixed hook)   |
| Rope length            | max:  | 23.75m (4 fall), 49.5m (2 fall), 101m (1 fall)  |
| Dimensions             | folded:   | 5610mm (l) x 1670mm (w) x 2185mm (h)  |
| Weight                 | unladen:  | 7920kg + 160kg (8080kg with electric option) + 230kg (8310kg with searcher hook and fly jib attached)   |
| Point loadings         | Due to the many variables involved, point loadings are only available on request  |   |
| Hook speed             | approx:   | 11m/min (with 5 layers and 4 falls)   |
| Telescopic system      | boom length:<br>telescoping speed:<br>boom type:  | 4.80 - 19.20m<br>14.4m/52 seconds<br>6 section hydraulically telescoping boom, hexagonal box construction   |
| Derricking angle/speed | approx:   | 0 - 80° / 16.0 seconds  |
| Slewing angle/speed    | approx:   | 360° (continuous) 2.5min rpm  |
| Traction system        | drive:<br>travel speed:<br>gradeability:<br>track ground length:<br>track ground pressure:<br>track width:  | hydrostatic 2-speed, stepless forward and reverse<br>0 - 2.9km/h<br>± 20° (vertical) 20° (traverse)<br>2240mm<br>43.6kPa (0.44kg/cm <sup>2</sup> )<br>400mm |
| Engine                 | manufacturer:<br>fuel:<br>maximum output:<br>starting method:<br>tank capacity:   | Mitsubishi<br>diesel (electric dual power option)<br>23.5kW (32.0PS) / 2500min rpm<br>electric<br>74 litres   |
| Electric motor         | power:<br>voltage:  | 7.5kW<br>400v AC 50/60hz  |
| Standard equipment     | computer controlled moment limiter (safe load indicator), radio remote control, overwinding alarm, computer controlled intelligent voice warning system, multi-function operation by radio remote control, intelligent throttle activation, automatic hook stow, overload warning alarms, overload warning lamps, working area limitation |   |
| Optional equipment     | 1 fall hook block, 2 fall hook block, mains electric dual power (400v), low marking tracks, slew limitation, searcher hook 800kg, fly jib 800kg with single part line, 800kg capacity hydraulic fly jib (706-2), radio remote control with feedback display, data logging   |   |

# MINI SPIDER CRANE

## RATED LOADS & OUTRIGGER POSITIONS



### FIRST STAGE EXTENDED 4.8M BOOM LENGTH

| Working radius | m            | up to 2.7 | 3.0   | 3.5   | 4.0   | 4.3   |       |
|----------------|--------------|-----------|-------|-------|-------|-------|-------|
| Outrigger      | Max-extended | kg        | 6,000 | 6,000 | 5,450 | 4,850 | 3,950 |
|                | Mid-extended | kg        | 6,000 | 6,000 | 5,450 | 4,850 | 3,950 |
|                | Min-extended | kg        | 6,000 | 6,000 | 5,450 | 4,550 | 3,750 |

### SECOND STAGE EXTENDED 4.8 - 7.7M BOOM LENGTH

| Working radius | m            | up to 2.0 | 3.0   | 3.5   | 4.0   | 5.0   | 6.0   | 7.0   | 7.2   |       |
|----------------|--------------|-----------|-------|-------|-------|-------|-------|-------|-------|-------|
| Outrigger      | Max-extended | kg        | 6,000 | 6,000 | 5,350 | 4,750 | 3,750 | 2,950 | 2,250 | 2,000 |
|                | Mid-extended | kg        | 6,000 | 6,000 | 5,350 | 4,750 | 3,750 | 2,450 | 1,700 | 1,550 |
|                | Min-extended | kg        | 6,000 | 6,000 | 5,350 | 4,650 | 2,550 | 1,650 | 1,150 | 1,050 |

### THIRD STAGE EXTENDED 7.7 - 10.6M BOOM LENGTH

| Working radius | m            | up to 2.7 | 4.0   | 5.0   | 6.0   | 7.0   | 8.0   | 9.0   | 10.0  | 10.1 |     |
|----------------|--------------|-----------|-------|-------|-------|-------|-------|-------|-------|------|-----|
| Outrigger      | Max-extended | kg        | 4,550 | 4,550 | 3,650 | 2,950 | 2,400 | 1,800 | 1,350 | 950  | 950 |
|                | Mid-extended | kg        | 4,550 | 4,550 | 3,650 | 2,550 | 1,750 | 1,300 | 950   | 700  | 700 |
|                | Min-extended | kg        | 4,550 | 4,550 | 2,650 | 1,700 | 1,200 | 850   | 650   | 450  | 400 |

### FOURTH STAGE EXTENDED 10.6 - 13.5M BOOM LENGTH

| Working radius | m            | up to 5.0 | 6.0   | 7.0   | 8.0   | 9.0   | 10.0  | 11.0  | 12.0 | 12.9 |     |
|----------------|--------------|-----------|-------|-------|-------|-------|-------|-------|------|------|-----|
| Outrigger      | Max-extended | kg        | 2,950 | 2,550 | 2,150 | 1,850 | 1,500 | 1,200 | 950  | 800  | 450 |
|                | Mid-extended | kg        | 2,950 | 2,550 | 1,850 | 1,400 | 1,100 | 850   | 650  | 550  | 400 |
|                | Min-extended | kg        | 2,750 | 1,850 | 1,300 | 1,000 | 750   | 550   | 430  | 330  | 240 |

### FIFTH STAGE EXTENDED 13.5 - 16.3M BOOM LENGTH

| Working radius | m            | up to 6.0 | 8.0   | 9.0   | 10.0  | 11.0  | 12.0  | 13.0 | 14.0 | 15.0 | 15.8 |     |
|----------------|--------------|-----------|-------|-------|-------|-------|-------|------|------|------|------|-----|
| Outrigger      | Max-extended | kg        | 2,350 | 1,700 | 1,400 | 1,200 | 1,000 | 850  | 700  | 600  | 500  | 400 |
|                | Mid-extended | kg        | 2,350 | 1,500 | 1,150 | 950   | 750   | 600  | 500  | 400  | 300  | 250 |
|                | Min-extended | kg        | 1,950 | 1,050 | 800   | 650   | 500   | 400  | 300  | 230  | 170  | 130 |

### SIXTH STAGE EXTENDED 16.3 - 19.2M BOOM LENGTH

| Working radius | m            | up to 8.0 | 10.0  | 12.0  | 14.0 | 16.0 | 18.0 | 18.6 |     |
|----------------|--------------|-----------|-------|-------|------|------|------|------|-----|
| Outrigger      | Max-extended | kg        | 1,350 | 1,000 | 800  | 600  | 400  | 250  | 200 |
|                | Mid-extended | kg        | 1,350 | 1,000 | 650  | 450  | 300  | 200  | 150 |
|                | Min-extended | kg        | 1,100 | 700   | 450  | 280  | 170  | 90   | 60  |





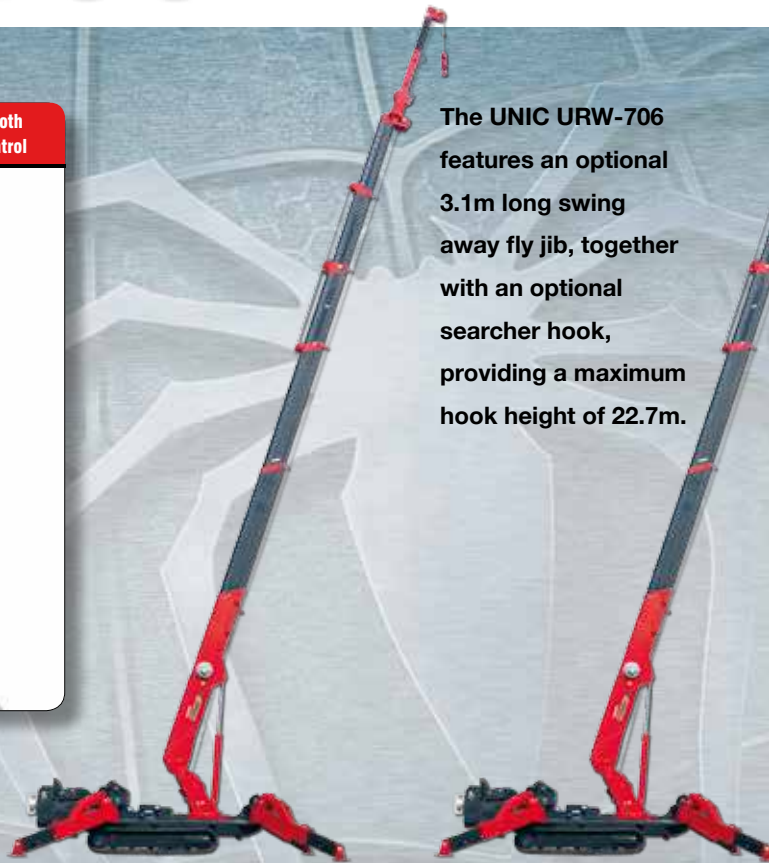
# URW-706 (6.0t x 3.0m)

Shockless damping system for smooth stop when operated via remote control

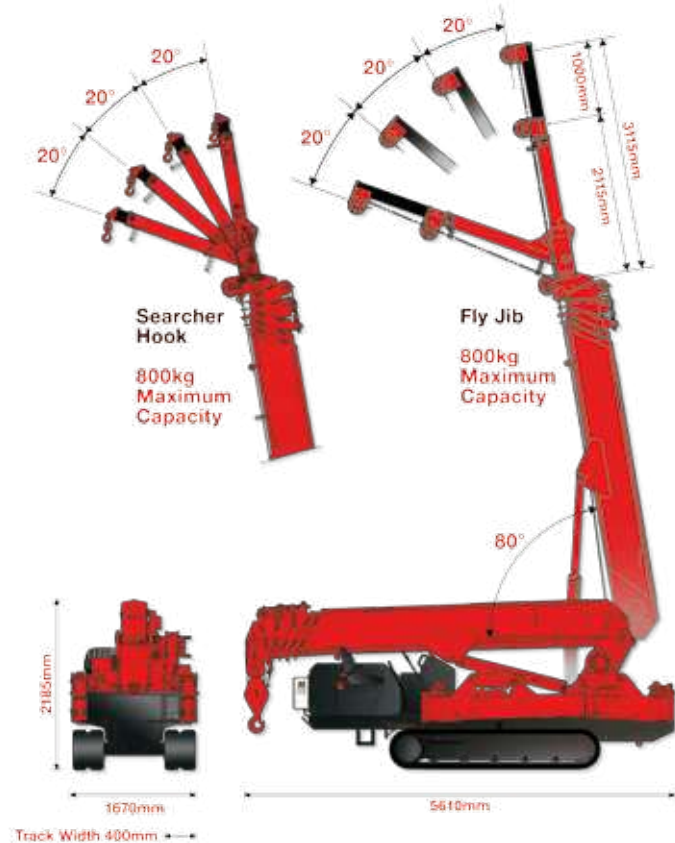


The UNIC URW-706 features an optional 3.1m long swing away fly jib, together with an optional searcher hook, providing a maximum hook height of 22.7m.

The standard UNIC URW-706 provides a maximum hook height of 19.5m.



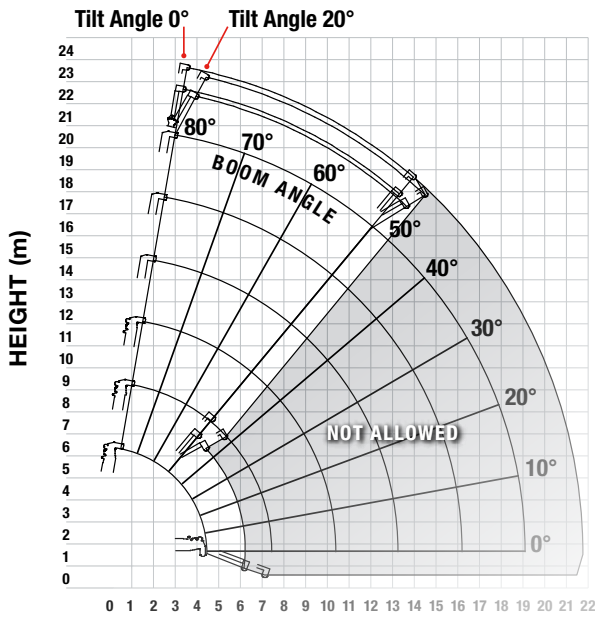
## DIMENSIONS



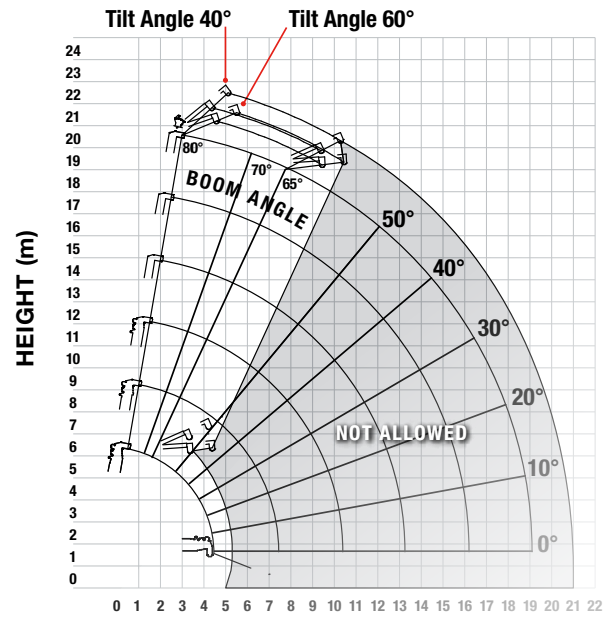
# MINI SPIDER CRANE

MANUAL FLY JIB WORKING RANGE - 0° & 20°

MANUAL FLY JIB WORKING RANGE - 40° & 60°



WORKING RADIUS (m) Tilt Angles 0° and 20°



WORKING RADIUS (m) Tilt Angles 40° and 60°

Note: The above figures are based on a no-load condition and do not include the deflection of the boom.

## FLY JIB - ANGLE RATED

| ANGLE RATED | NET RATED LOADS (kg) AT EXTENSION JIB ANGLE |     |             |     |
|-------------|---|-----|-------------|-----|
|             |   |     |             |     |
| BOOM ANGLE  | 0°  | 20° | 40°         | 60° |
| 80°         | 800   | 800 | 600         | 600 |
| 75°         | 800   | 800 | 600         | 600 |
| 70°         | 700   | 700 | 500         | 500 |
| 65°         | 600   | 600 | 400         | 400 |
| 60°         | 500   | 500 | NOT ALLOWED |     |
| 55°         | 400   | 400 |             |     |
| 50°         | 300   | 300 |             |     |

|                         |                                     |
|-------------------------|-------------------------------------|
| <b>Lifting capacity</b> | 800kg                               |
| <b>Jib length</b>       | retracted: 2.11m<br>extended: 3.11m |
| <b>Weight</b>           | 205kg                               |
| <b>Tilt angles</b>      | 0°, 20°, 40°, 60°                   |

## SEARCHER HOOK - RADIUS RATED

| RADIUS RATED     | SEARCHER HOOK NET RATED LOADS (kg) |                         |                         |
|------------------|------------------------------------|-------------------------|-------------------------|
|                  |                                    |                         |                         |
| WORKING RADIUS m | OUTRIGGERS MAX-EXTENDED            | OUTRIGGERS MID-EXTENDED | OUTRIGGERS MIN-EXTENDED |
| 7.0              | 800                                | 800                     | 800                     |
| 8.0              | 800                                | 800                     | 610                     |
| 9.0              | 800                                | 700                     | 420                     |
| 10.0             | 800                                | 550                     | 250                     |
| 10.5             | 800                                | 490                     | 200                     |
| 11.0             | 650                                | 430                     | 160                     |
| 11.5             | 550                                | 370                     | 120                     |
| 12.0             | 470                                | 310                     | 100                     |
| 13.0             | 330                                | 230                     | NOT ALLOWED             |
| 14.0             | 260                                | 150                     |                         |
| 15.0             | 210                                | 100                     |                         |

|                         |       |
|-------------------------|-------|
| <b>Lifting capacity</b> | 800kg |
| <b>Length</b>           | 2.21m |

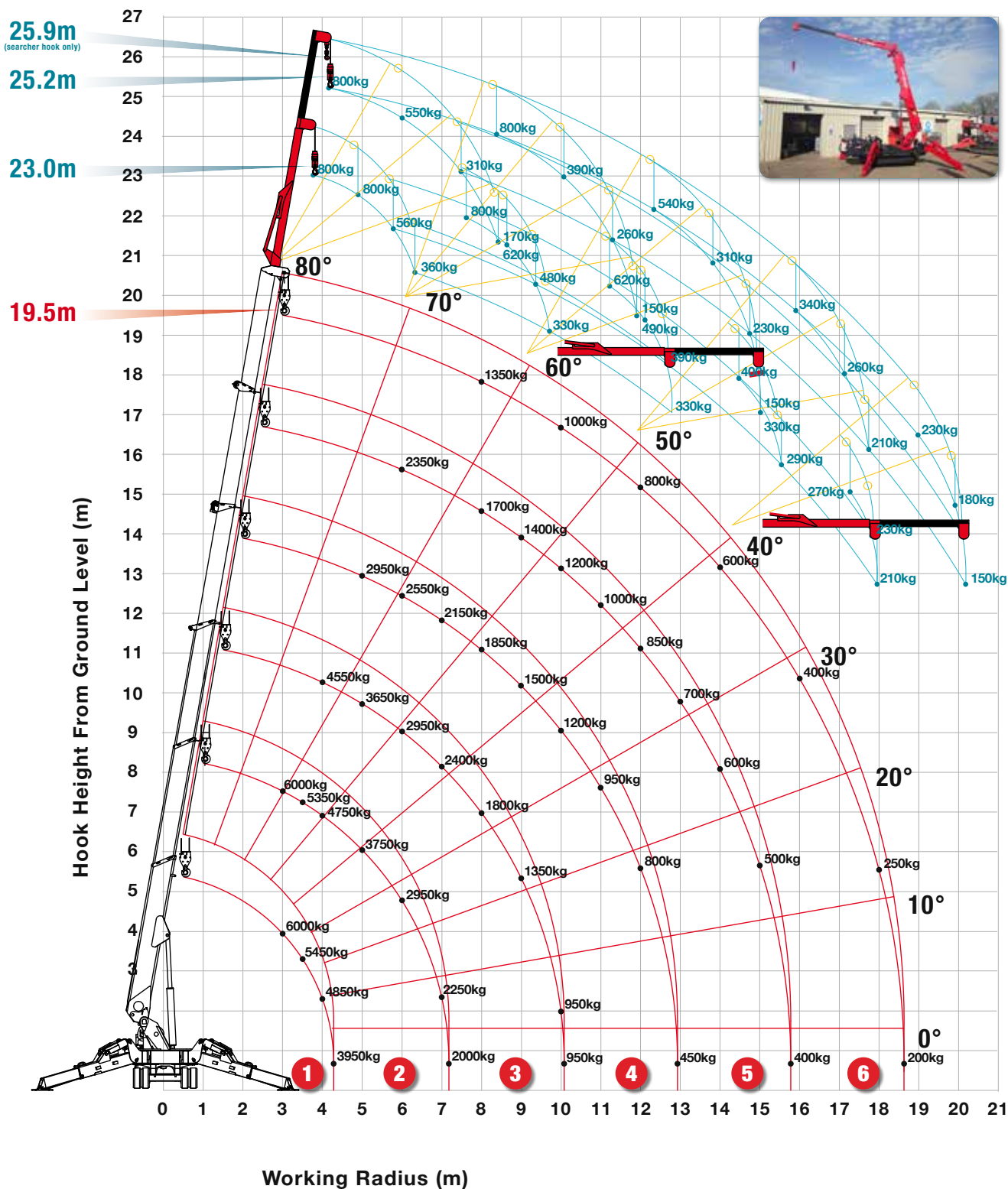


Fly jib stowed position



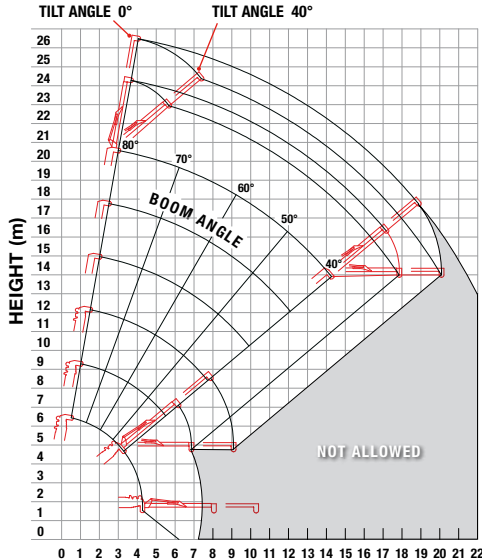
# URW-706-2 (6.0t x 3.0m)

## URW-706-2 WORKING RANGE

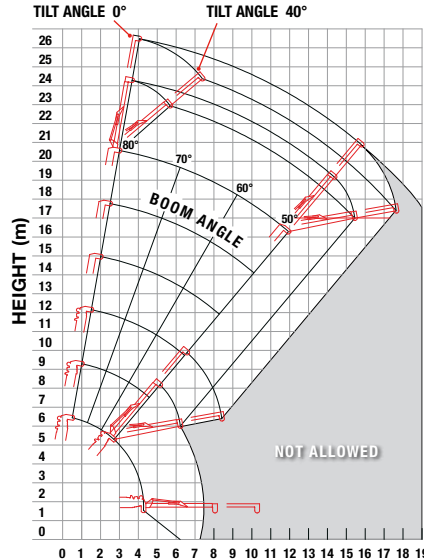


# MINI SPIDER CRANE

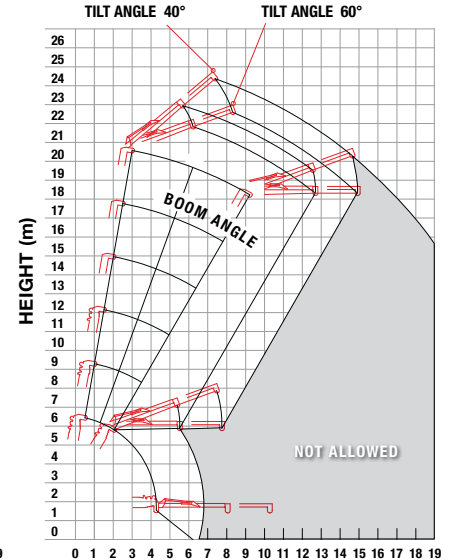
## URW-706-2 HYDRAULIC FLY JIB WORKING RANGE



WORKING RADIUS (m) Tilt Angles 0° - 40°  
Outriggers extended to maximum and halfway



WORKING RADIUS (m) Tilt Angles 0° - 40°  
Outriggers extended to minimum



WORKING RADIUS (m) Tilt Angles 40° - 60°  
Outriggers extended to maximum halfway and minimum

Note: The above figures are based on a no-load condition and do not include the deflection of the boom.

### FLY JIB NET RATED LOADS (kg) - ANGLE RATED OUTRIGGERS SET TO MAXIMUM

| BOOM ANGLE | FLY JIB 1 (3.77m) - TILT ANGLES |     |     |     | FLY JIB 1 & 2 (6.0m) - TILT ANGLES |     |     |     |
|------------|---------------------------------|-----|-----|-----|------------------------------------|-----|-----|-----|
|            | 0°                              | 20° | 40° | 60° | 0°                                 | 20° | 40° | 60° |
| 80°        | 800                             | 800 | 560 | 360 | 800                                | 550 | 310 | 170 |
| 70°        | 800                             | 620 | 480 | 330 | 800                                | 390 | 260 | 150 |
| 60°        | 620                             | 490 | 390 | 330 | 540                                | 310 | 230 | 150 |
| 50°        | 400                             | 330 | 290 |     | 340                                | 260 | 210 |     |
| 40°        | 270                             | 230 | 210 |     | 230                                | 180 | 150 |     |
| 30°        | NOT ALLOWED                     |     |     |     | NOT ALLOWED                        |     |     |     |

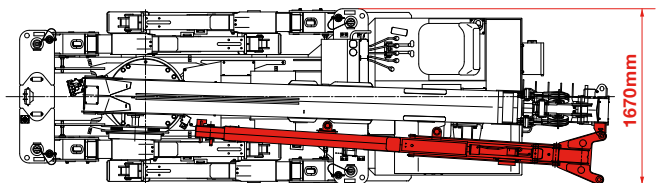
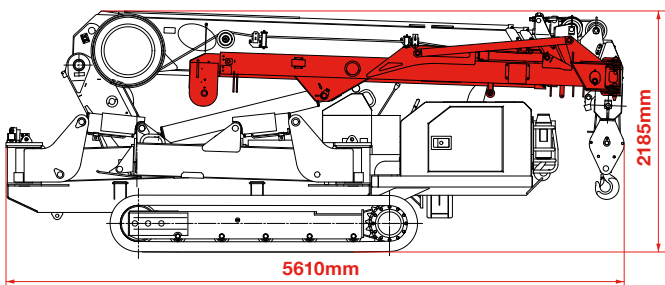
### FLY JIB NET RATED LOADS (kg) - ANGLE RATED OUTRIGGERS SET TO HALFWAY

| BOOM ANGLE | FLY JIB 1 (3.77m) - TILT ANGLES |     |     |     | FLY JIB 1 & 2 (6.0m) - TILT ANGLES |     |     |     |
|------------|---------------------------------|-----|-----|-----|------------------------------------|-----|-----|-----|
|            | 0°                              | 20° | 40° | 60° | 0°                                 | 20° | 40° | 60° |
| 80°        | 800                             | 800 | 560 | 360 | 800                                | 550 | 310 | 170 |
| 70°        | 800                             | 620 | 480 | 330 | 800                                | 390 | 260 | 150 |
| 60°        | 620                             | 490 | 390 | 330 | 540                                | 310 | 230 | 150 |
| 50°        | 350                             | 310 | 290 |     | 300                                | 260 | 210 |     |
| 40°        | 180                             | 170 | 160 |     | 160                                | 130 | 120 |     |
| 30°        | NOT ALLOWED                     |     |     |     | NOT ALLOWED                        |     |     |     |

### FLY JIB NET RATED LOADS (kg) - ANGLE RATED OUTRIGGERS SET TO MINIMUM

| BOOM ANGLE | FLY JIB 1 (3.77m) - TILT ANGLES |     |     |     | FLY JIB 1 & 2 (6.0m) - TILT ANGLES |     |     |     |
|------------|---------------------------------|-----|-----|-----|------------------------------------|-----|-----|-----|
|            | 0°                              | 20° | 40° | 60° | 0°                                 | 20° | 40° | 60° |
| 80°        | 800                             | 800 | 560 | 360 | 800                                | 550 | 310 | 170 |
| 70°        | 800                             | 620 | 480 | 330 | 800                                | 390 | 260 | 150 |
| 60°        | 470                             | 410 | 390 | 330 | 430                                | 310 | 230 | 150 |
| 50°        | 200                             | 190 | 180 |     | 180                                | 160 | 150 |     |
| 40°        | NOT ALLOWED                     |     |     |     | NOT ALLOWED                        |     |     |     |
| 30°        | NOT ALLOWED                     |     |     |     | NOT ALLOWED                        |     |     |     |

## URW-706-2 DIMENSIONS



|                  |                   |
|------------------|-------------------|
| Lifting capacity | 800kg (max)       |
| Length           | 3770-6000mm       |
| Total Weight     | 480kg             |
| Tilt angles      | 0°, 20°, 40°, 60° |